



## Exchanger

# HAIRPIN HEAT

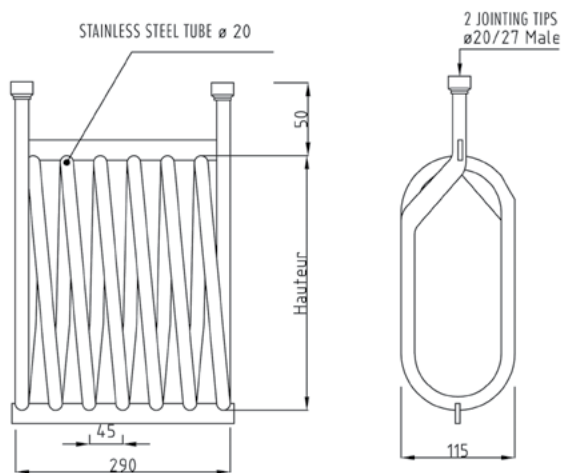
LAMOUREUX offers a range of cold-rolled stainless steel hairpin heat exchangers with an electropolished mirror finish to facilitate cleaning.

The hairpin range meets all the needs of wine producers (small and medium sized vat houses).

### ■ Features

- Surface: 0.5 to 1.5 m<sup>2</sup> depending on the model
- 316L stainless steel, electropolished finish
- Height: 530 to 1758 mm depending on the model
- Weight: 5 to 15 kg depending on the model
- Bracket for 2 attachments
- Air test pressure: 8 bars
- Water service pressure: 6 bars
- Jointing tips: 20/27 male, gas
- Fluid temperatures: -10° to +80° C (negative temperature with glycol water). Be careful with welds when jointing the hairpin.

When using sulphur in wooden casks, it is indispensable to remove the exchangers (see LAMOUREUX installation instructions).



### Hairpin range

Type	Exchange surface	X in mm	ml of tube
E 0.5	0,5 m <sup>2</sup>	530	8
E 1	1 m <sup>2</sup>	1172	16
E 1.5	1,5 m <sup>2</sup>	1758	24



## The small sized mobile heat exchanger

### □ Advantages

- Small size
- Exchanger can be mobile
- Horizontal or vertical position
- Good position in the vat
- Good heat exchange coefficient
- Little fur deposit thanks to the polished finish
- Good fluid circulation in the tube
- Vinification of reds or whites

Approved distributor



**LAMOUREUX - Siège social**  
33 Moulin de Gonin - 33540 GORNAC

**LAMOUREUX - Médoc**  
33112 SAINT LAURENT DU MEDOC

Tél. 05 56 61 96 56 - Fax 05 56 61 95 63  
lamouroux@lamouroux.com

[www.lamouroux.com](http://www.lamouroux.com)